



Anaconda Universal Products, Inc.
709 E. Cochran St. Unit B
Simi Valley, CA 93065
Phone 805-579-9292
Fax 805-579-9363
Parts & Technical Support 805-579-0975
(M-F 10AM-6PM PST)

This lock should not be installed in a location completely exposed to direct rainfall or lawn sprinkler systems due to the sensitive nature of the electronic components.

Warranty does not cover damage resulting from water exposure. Please read installation instructions carefully to avoid damage. Damage resulting from improper installation is not covered under product Warranty. See Warranty card for complete terms.

TROUBLESHOOTING CONT.

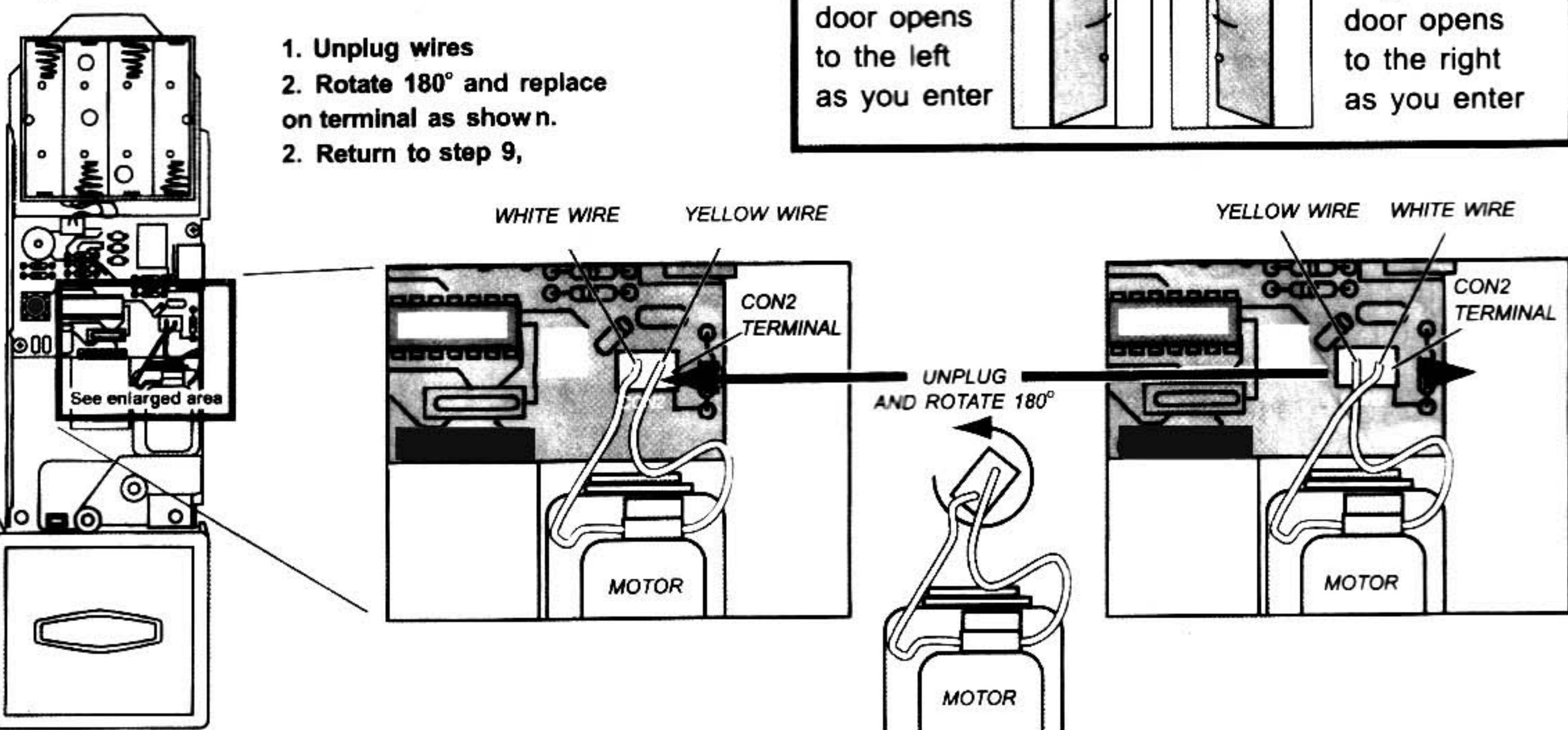
No power to the motor:
Are your batteries good and positioned correctly in the battery case?
Is the wire ribbon firmly plugged into the 20 pin terminal at the bottom of the electronics board?
If the batteries are exposed to extreme cold temperature, they may not function. This is common to all batteries and not a defect or malfunction of the lock.

Motor works but bolt does not extend when lock button is pressed:
Verify whether your door is right or left handed and that motor terminal is plugged in correctly.
(see Important Notes left, illustration below.)

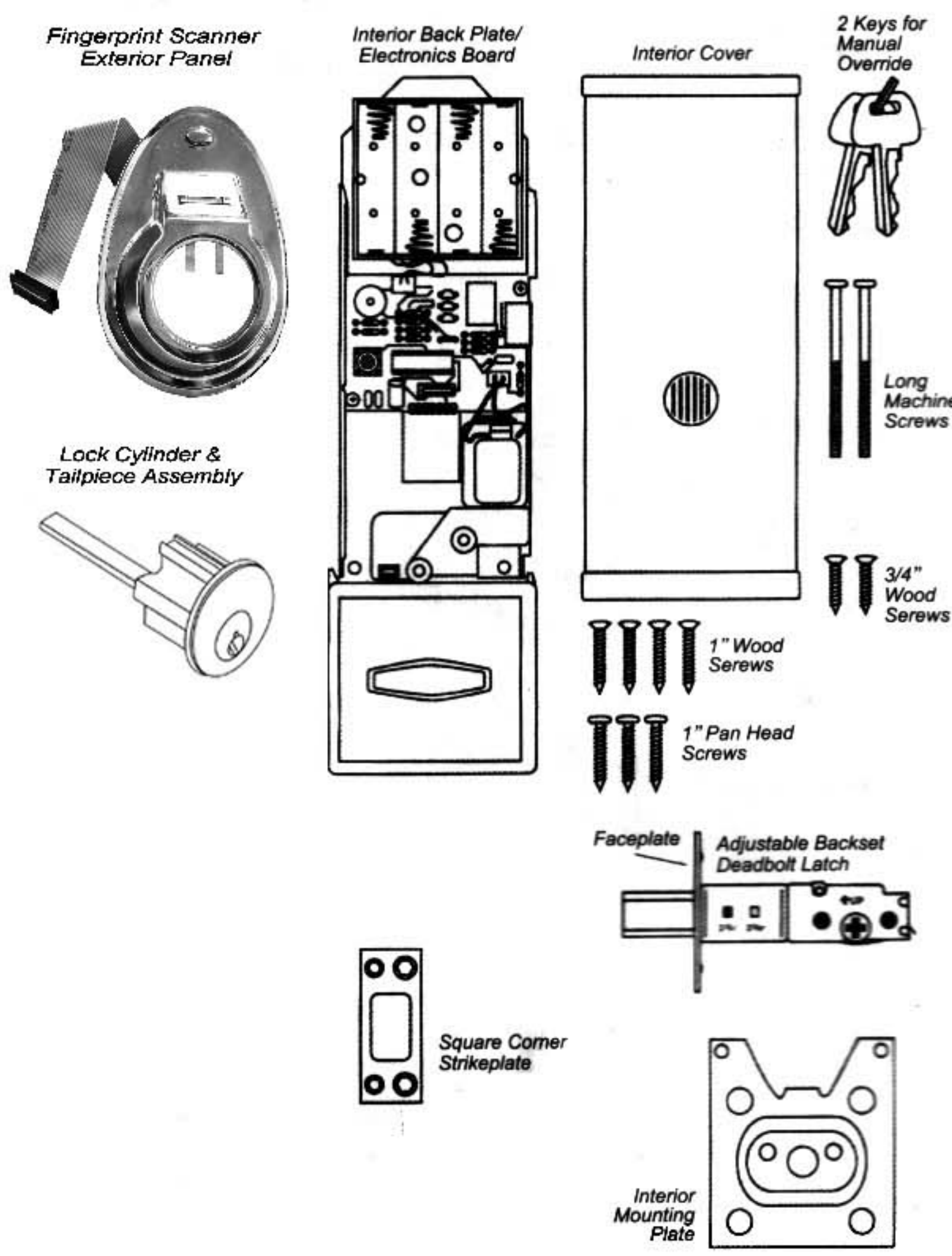
LEFT HAND DOOR INSTRUCTIONS

Determine if you have a left hand or right hand door (see diagram at right). If you have determined that you have a left hand door, you will need to reconfigure the motor terminals as shown below.

1. Unplug wires
2. Rotate 180° and replace on terminal as shown.
2. Return to step 9.

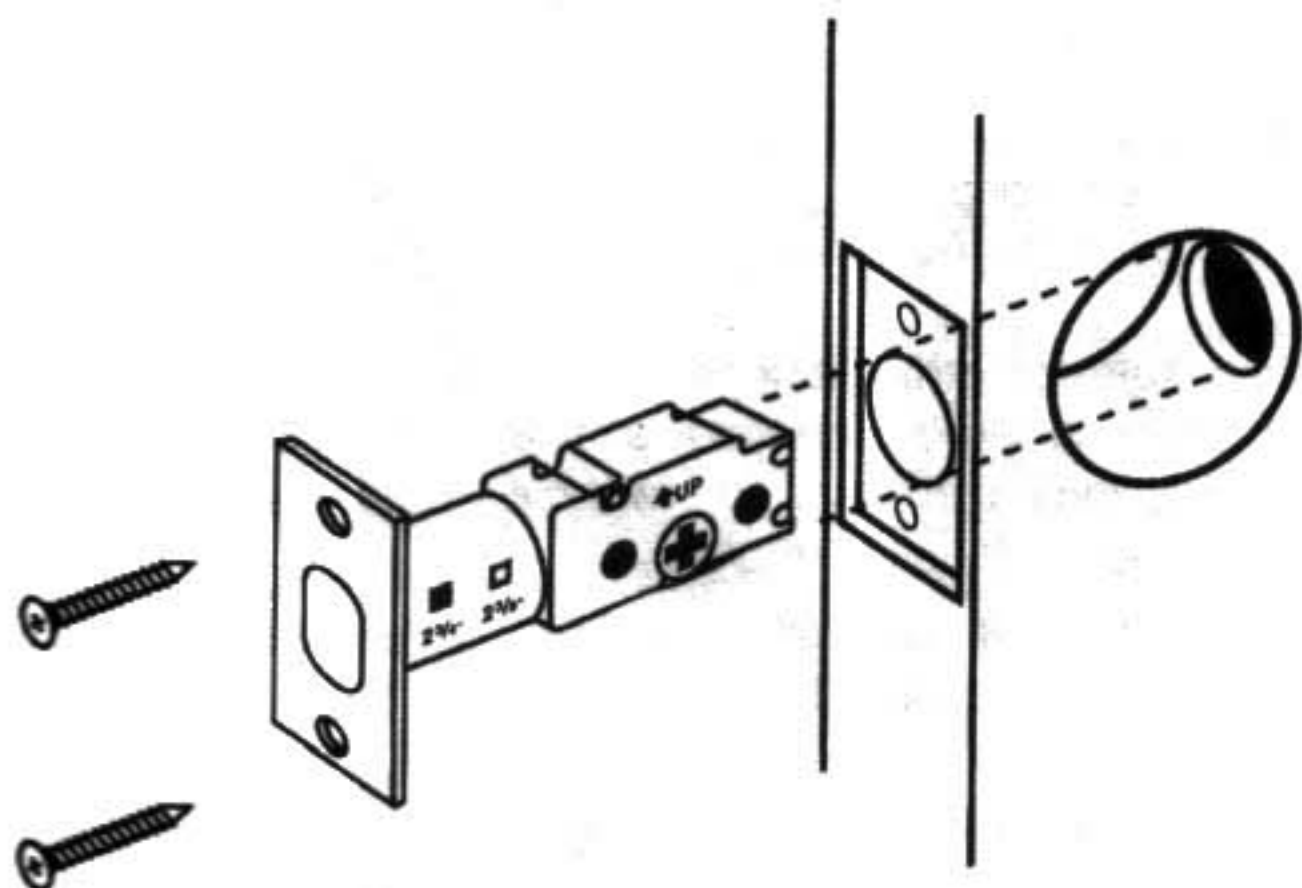


INCLUDED PARTS



5. INSTALL DEADBOLT LATCH

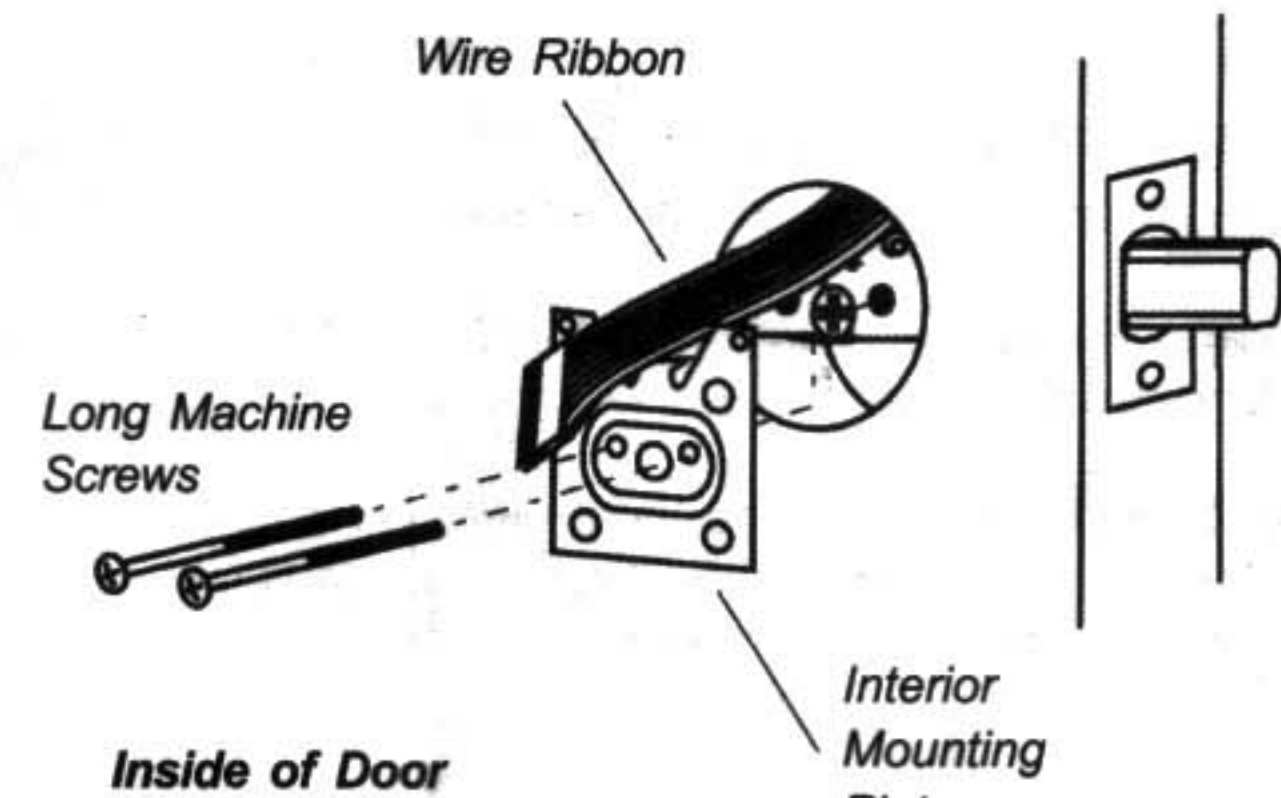
with deadbolt retracted. Insert deadbolt latch into hole hub down, insert screws and fasten to door.



6b. With key removed, from outside of door, insert lock cylinder into scanner panel & latch hub, with tail piece in vertical position extending through latch hub.

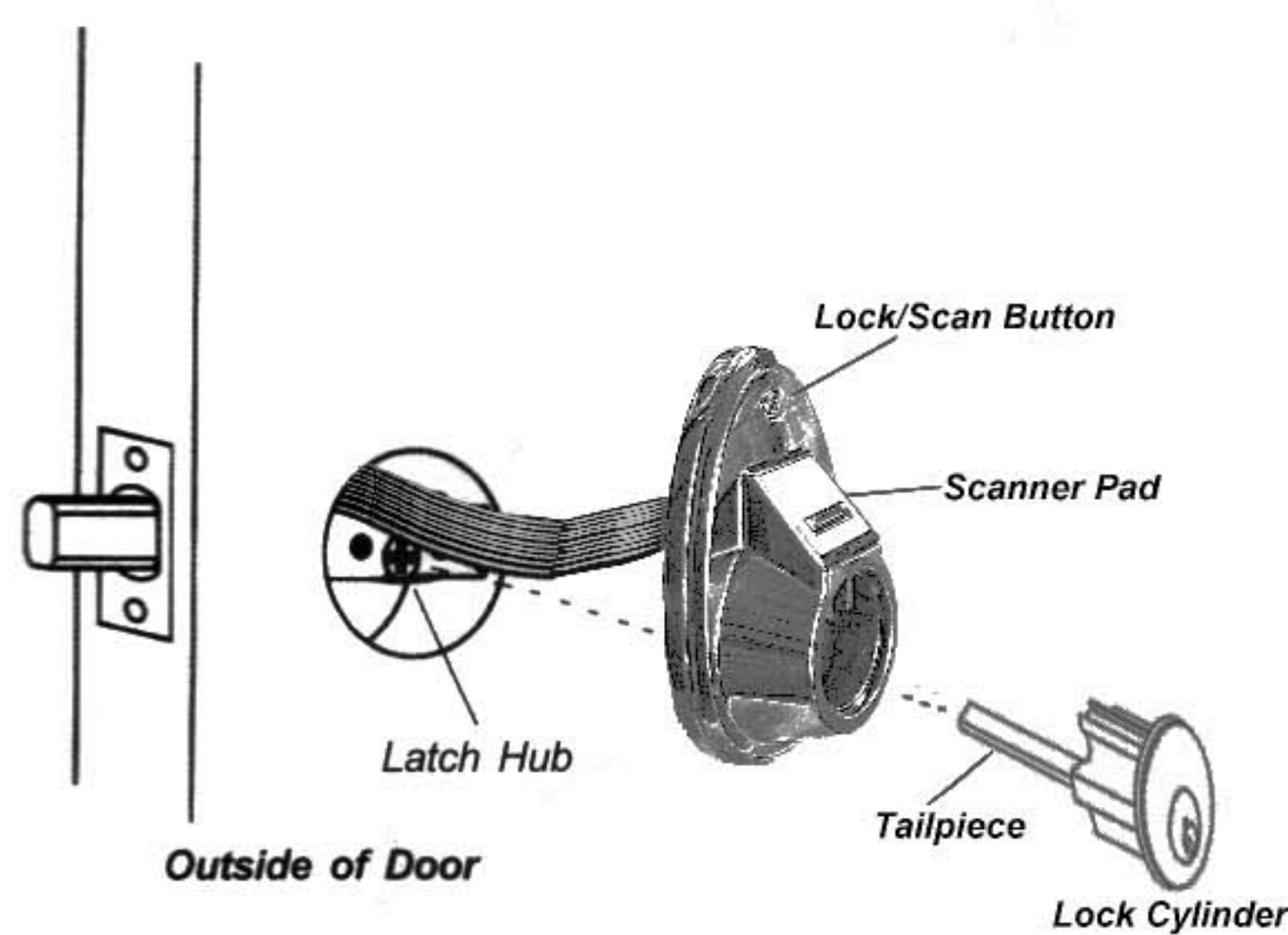
IMPORTANT!: TAILPIECE VERTICAL: (|)

6c. Position interior mounting plate on inside of door, as shown, with wire ribbon extending over top, and tail piece extending through center opening in mounting plate. Lightly secure lock cylinder in place using two long machine screws, provided.



6. Installing Fingerprint Scanner Exterior Panel

6a. After latch is in place: Place exterior fingerprint scanner panel on outside of door, sliding wire ribbon over the top of latch mechanism.



6d. Align position of scanner panel on outside of door. Panel should be aligned vertically & centered. Tailpiece should extend through latch hub straight & level, Tailpiece should not be crooked or at an angle. With scanner panel in position & tailpiece aligned, carefully snug up the long screws a little at a time until front panel is secure. DO NOT OVERTIGHTEN.

6c. Installing Interior Door Panel

Remove cover from interior back plate by prying bottom of cover straight out, then lifting off.

(continued on reverse side)



For Installation Assistance
Call 805-579-0975
(Available M-F 10AM-6PM PST)
ANACONDA UNIVERSAL PRODUCTS, INC.
709E. COCHRAN STREET #B
SIMI VALLEY, CA 93065 Ph: (805) 579-9292 Fax: (805)579-9363



Model: 427/428
Electronic Fingerprint Keyless Entry System

1. PREPARATION

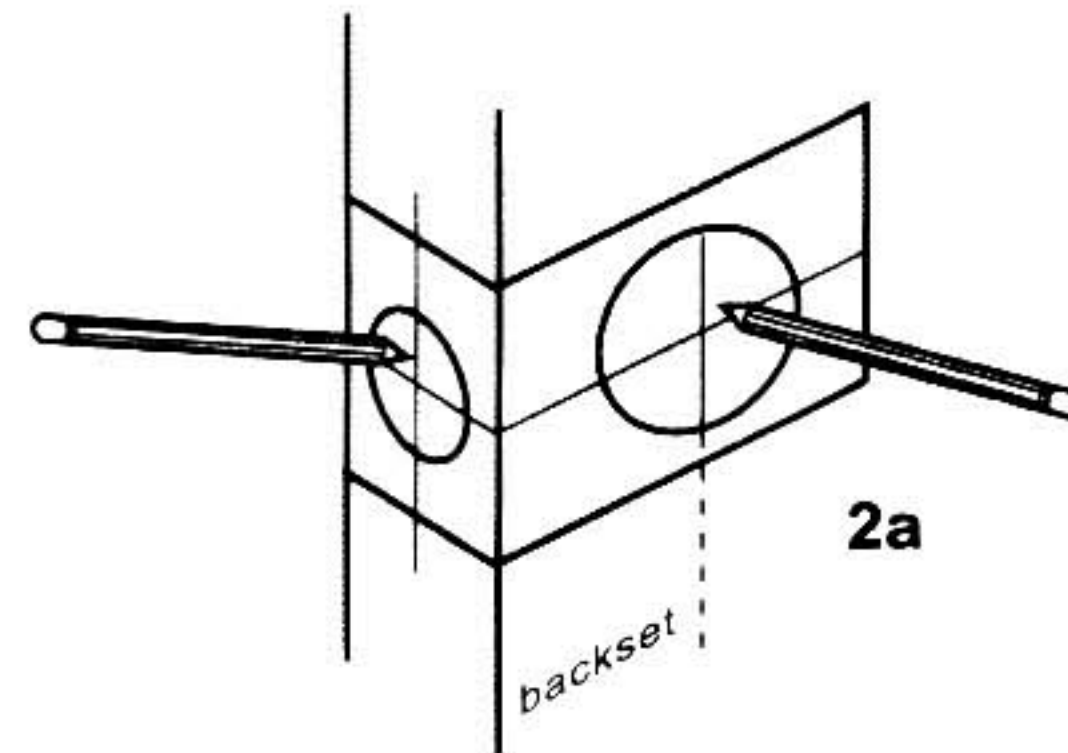
Preparing Door For Replacement Installation

If you are installing a deadbolt for the first time, go to **Step 2**. If you are replacing an existing deadbolt on your door go to **Step 5**.

2. NEW INSTALLATION FOR DEADBOLT
Skip to **Step 5** if holes are pre-drilled on your present door.

2a. Select backset — 2-3/8" (60mm) or 3-3/4" (70mm) and use template provided to mark door for drilling.

Note: 2-3/8" is standard. suggested position is 4" above door knob or lever (from center to center). Be sure to center template on widest part of door (same side as hinges).



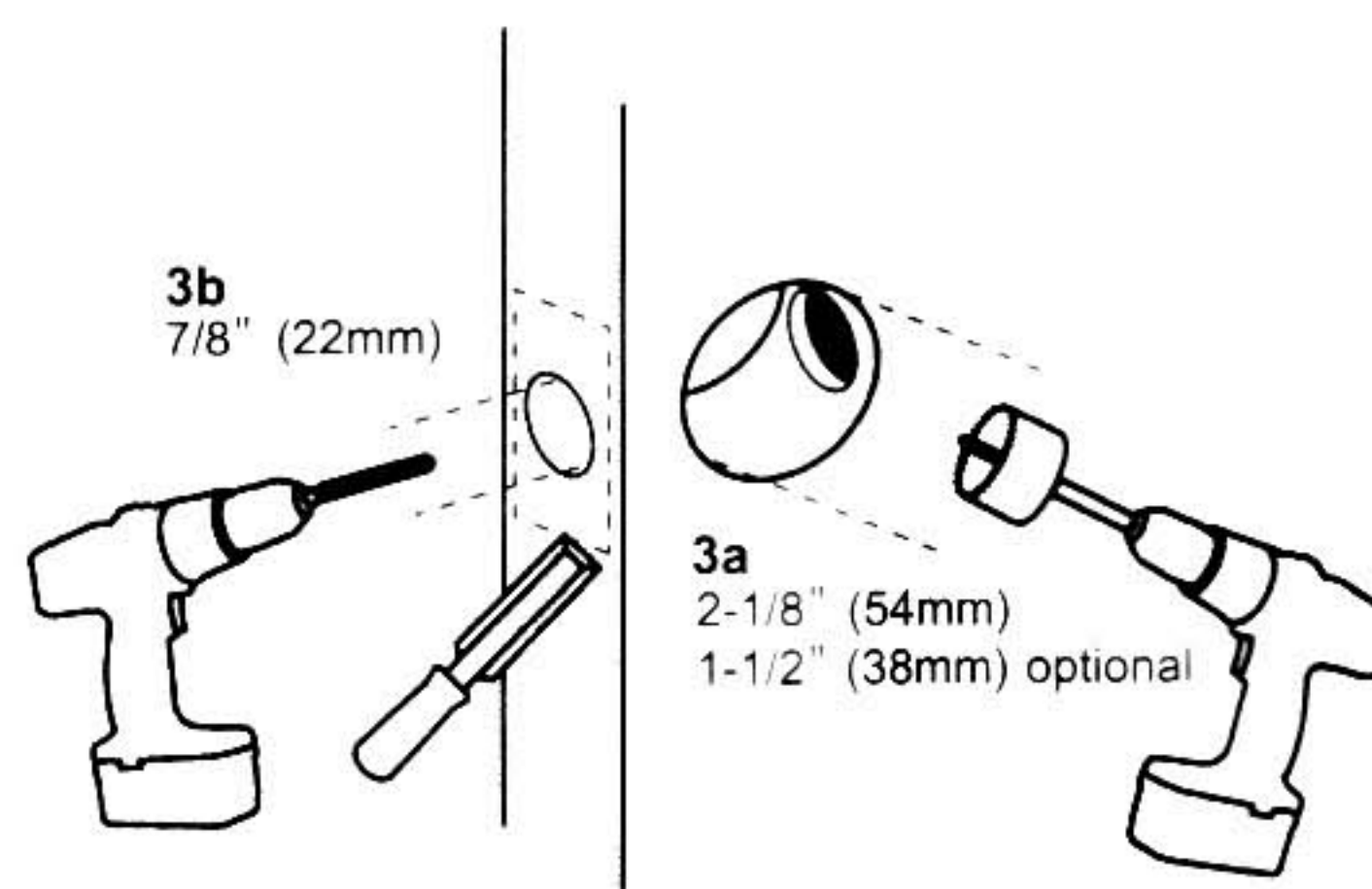
3. BORE HOLES

3a. Bore 2-1/8" (54mm) hole through door face from both sides of door (1-1/2" (38mm) hole optional).

Note: Bore from both sides of door to avoid damaging door surface.

3b. Drill 7/8" (22mm) hole through door edge, or a 1" (25mm) hole for a circular bolt.

Note: Chisel recess for faceplate.



4. PREPARE DOOR JAMB

4a. Mark door jamb exactly opposite center of bolt hole by tracing hole with door shut.

4b. Bore 2 overlapping holes 5/16" (8mm) above and below center mark, 7/8" (22mm) wide and 1-1/8" (28mm) deep.

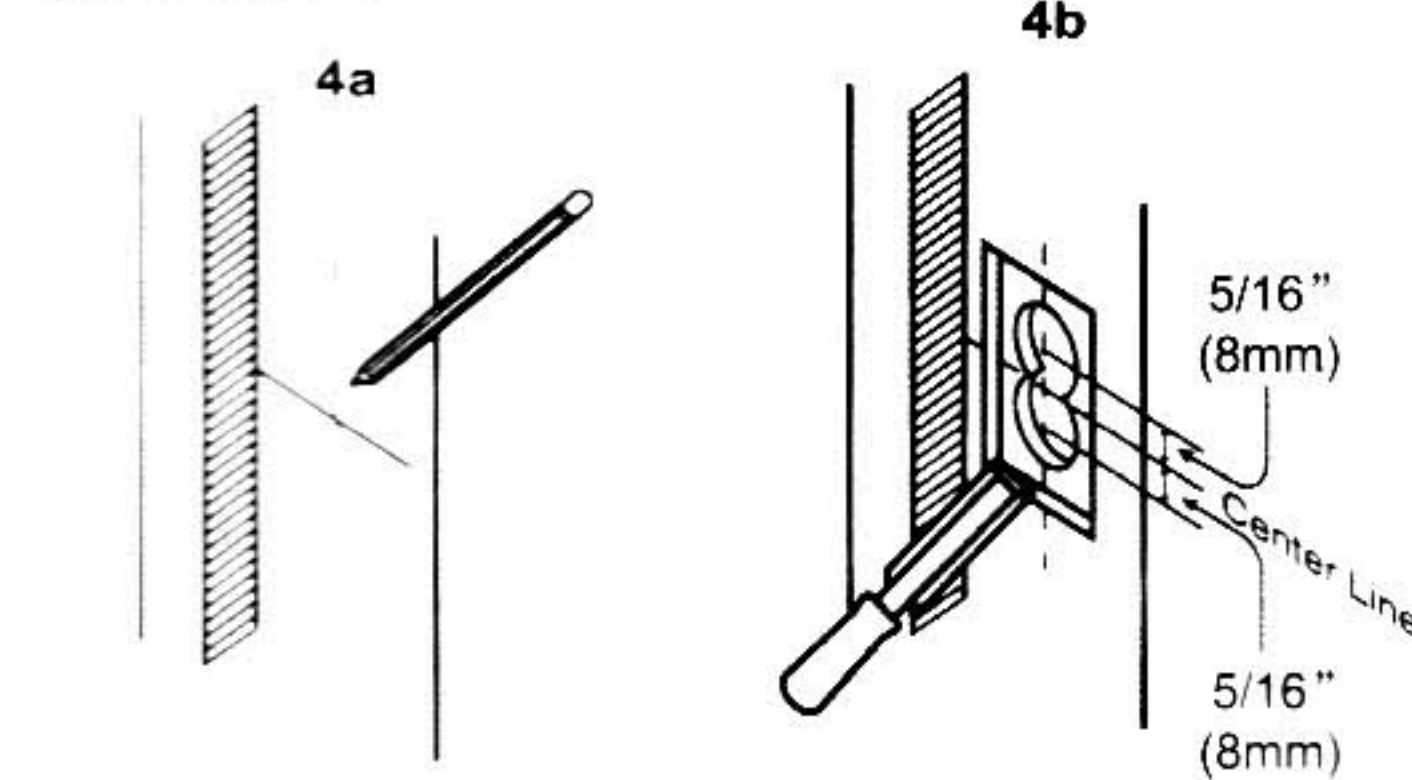
Chisel hole for strike box fit.

Tip: When chiseling, take small shallow cuts with chisel. Using excessive force can leave you with cuts too deep, thereby making it difficult to flush up strike plate.

Secure strike plate to doorjamb with 1" wood screws, supplied. Close door and ensure that the bolt extends and retracts freely.

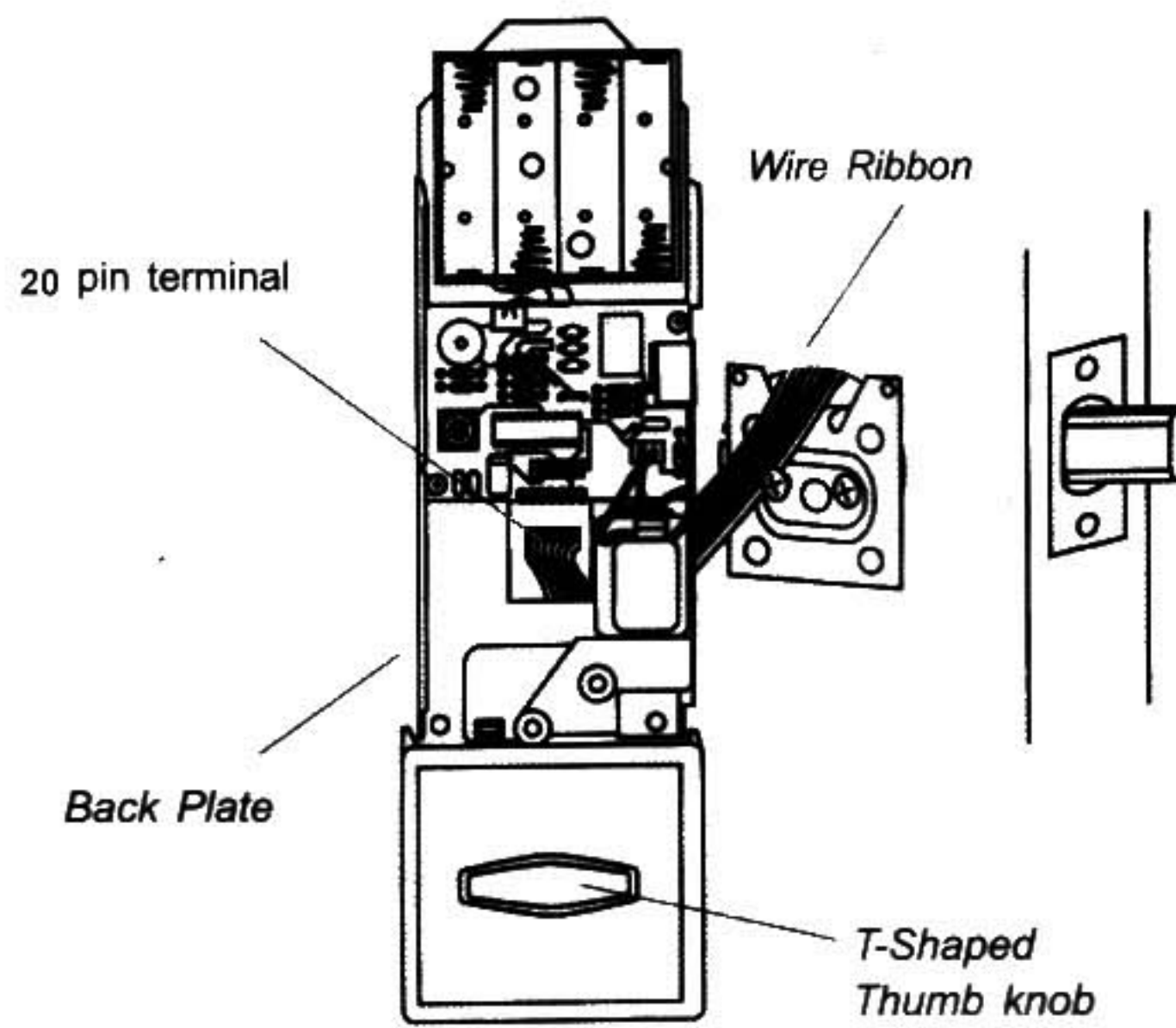
Note: If bolt does not move freely, and without resistance, your Keyless Entry System will not function properly.

Go to Step 5.



6. Installing Interior Door Panel (continued)

6f. Feed wire ribbon through square opening in back plate, under electronic board, and plug into 20 pin terminal at bottom of electronic board.

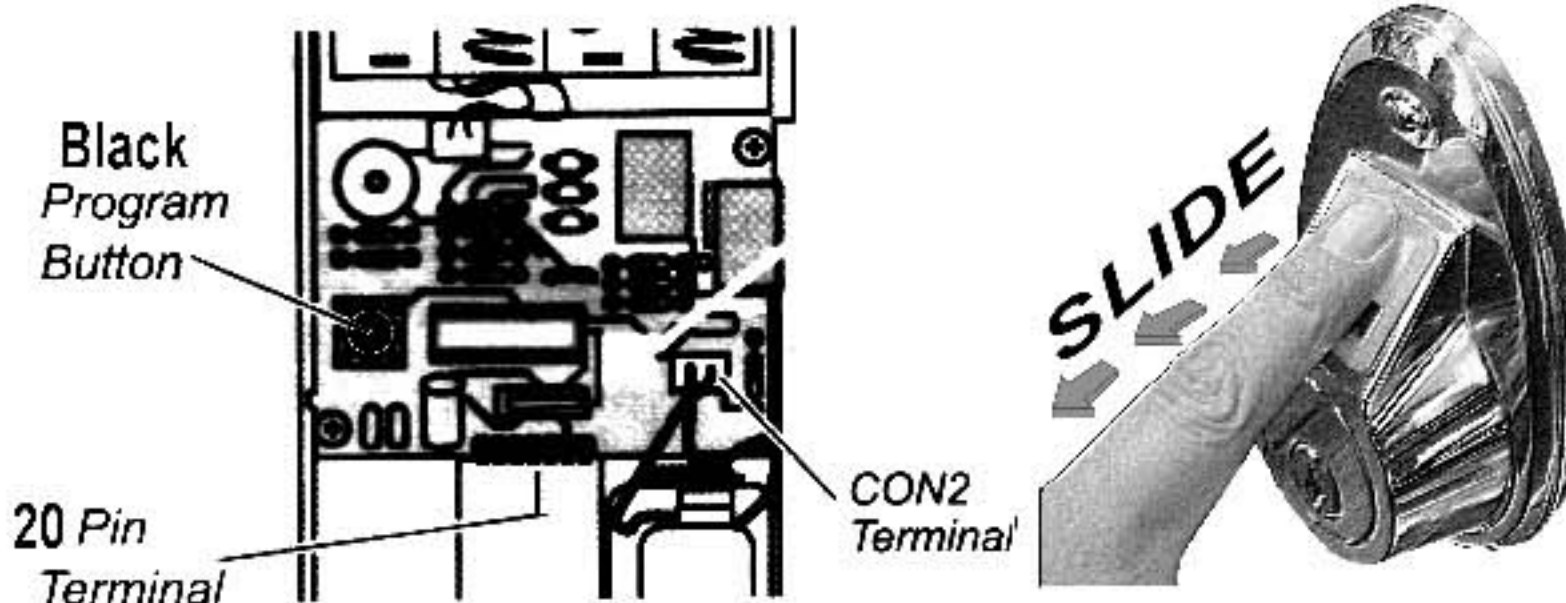


6g. Making sure that wire ribbon is not caught between door and back plate (Pinching or creasing wire ribbon can damage it), line back plate up and, making certain that lock mechanism tail piece goes through Hub and engages back of T-shaped thumb knob, attach back plate to door using three 1" pan head screws, provided. Install 4 AA Alkaline batteries (not included) in battery case.

7. PROGRAMMING YOUR KEYLESS ENTRY FINGERPRINT LOCK

Before programming please determine if your door is a right hand or left hand door. Unit is factory set for right hand door installation. See instructions titled "LEFT HAND DOOR INSTRUCTIONS"

7a. Push black program button on electronics board one time. Front panel will blink 3 colors followed by a short beep & remain blue.



7b. While panel is blue, press thumb or finger tip onto the square white pad & swipe down (toward keyhole) in a smooth continuous motion. A successful swipe will be confirmed by a short chime and the panel will blink & remain blue. Swipe again, listen for confirmation, then swipe a third time. After the third swipe the panel should blink & chime to indicate the print has been programmed into memory successfully. If the print scan is unsuccessful the panel will blink red. If this occurs, simply start again at step 7a. Fingertips should be free of excessive dirt, grease or other matter which could obscure fingerprint.

7c. Engage the lock by pushing & holding the lock/scan button. If lock does not engage, see "Trouble-shooting" below.

7d. Push & release the lock/scan button. When the panel turns blue, swipe your print & verify the lock opens properly. If the lock fails to open, see "trouble-shooting" below.

8. CLEARING ALL PRINTS FROM MEMORY

The lock can be programmed with a total of ten prints. Once memory is full, attempting to add additional prints will fail, indicated by panel flashing red. Prints stored in memory can not be modified individually. To delete one or more stored prints or to clear the memory for reprogramming when full, proceed as follows: **Caution: All Prints Will Be Erased!** Press & HOLD the black program button for 5 seconds, a long beep indicates memory has been cleared.

9. REPLACING BACK COVER

Hook top of access cover over top of interior back plate. Allow access cover to swing down and gently press bottom of access cover until it snaps into place.



NORMAL OPERATION

Press & HOLD the Lock/Scan button to lock the deadbolt. Press & release the Lock/Scan button to ready lock for entry. Once the panel has beeped and turned blue, scan in your print to unlock the deadbolt. Lock & Unlock the deadbolt when inside by turning the knob on the inside panel. The override keys may be used to open the lock at any time.

When manually extending or retracting the bolt, you will experience slight resistance. This is normal and does not indicate a defective item.

NOTES & TROUBLE-SHOOTING

If deadbolt does not extend when holding the Lock/Scan button, reverse the motor wires. (See Left Hand Door Instructions)

If your print fails to scan, swipe print again while the pad is blue or start over.

If your print fails to scan, apply some hand lotion to fingertips rub into fingertips until dry & try scan print again.

If it begins to take longer to retract the bolt, that is an indication that your batteries are running low. When this occurs, change batteries immediately! We recommend that batteries routinely be changed once per year under normal use.

It should not be necessary to reprogram after changing batteries. This deadbolt can be opened and closed at any time necessary by using the key from the exterior and from the interior by using the T-handle.

The deadbolt must be aligned so as to enter strike freely when door is secured by lower latch. If door is out of align, adjustments may be made, as necessary, to strike location or strike hole in the doorjamb to allow deadbolt to enter and exit strike freely.

Technical support is available by phone M-F 10AM-6PM PST
Technical Support Line: 805-579-0975
Anaconda Universal Products, Inc.: 805-579-9292
Fax: 805-579-9363 WWW.ANACONDATAOLS.COM