

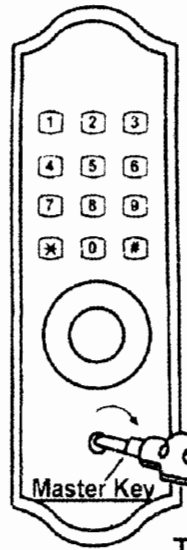
Anaconda Universal Products, Inc.

ANACONDA
UNIVERSAL PRODUCTS, INC.

Double-Sided Dual Keypad Mechanical Keyless Door Lock

Features

- Designed for installation in any type of door. Right handed & Left handed doors which are both inside opening & outside opening style.
- Change the security code easily without removing the lock. Each side can have a unique code.
- Security codes are from 1 to 12 digits long with no repeated digits per code & random input order
- Door knobs will re-lock automatically after each use when operating in "Secure" mode.
- When in "Unlocked" mode, the unit will operate as a standard unlocked door knob.
- Tamper resistant design - master key required to set code or change operating mode.



Need Help or Have a Question?

Support: (805) 579-0975
Sales: (805) 579-9292
Fax: (805) 579-9363
Office Hours: M-F 9:30AM-4:30PM
709 E. Cochran St. #B, Simi Valley, CA 93065

IMPORTANT: Use the "keyhole cover removal tool" to lift the magnetic "button" from the keyhole before attempting to insert the key. The tool is included on the keyring with the master keys.

MASTER KEY NOTICE:

Four duplicate master keys are included with your lock set. These four master keys are uniquely matched to each particular lock set and cannot be duplicated or replaced if lost or stolen. A master key is required to program your lockset, please keep them safe.

How to change the code and operating mode:

-Set "Secure" mode by setting a security code-

Step 1: Use the keyhole cover removal tool to remove the magnetic button from the keyhole. (to use the tool, place the round end flat against the keyhole cover and lift out the magnetic "plug").
Step 2: Insert master key into lock and turn clockwise until key stops (about 2:00 position or about 1/8 turn) then let go, leaving key in turned position.

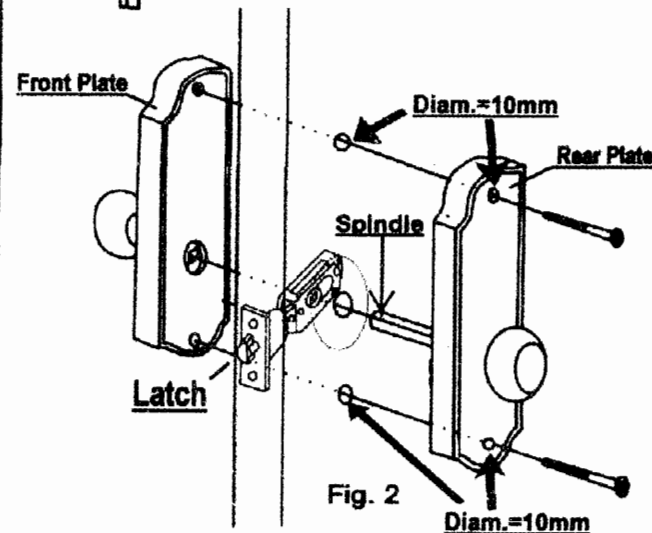
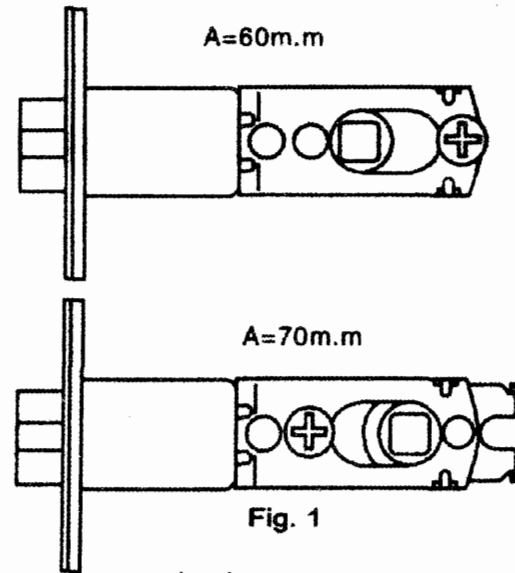
Step 3: Enter desired security code (up to 12 characters) then turn key back to original position & remove. Replace magnetic cover. **Important:** Do Not Hold Key When Entering Code. The lock is now in "Secure" mode.

-Set "Unlocked" mode by clearing the security code-

Step 1: Same as "Step 1" above.
Step 2: Follow "Step 2" above but DO NOT set a code, simply turn the key back to its original position & remove. In "Unlocked" mode the unit requires no security code.

Using the security code to unlock

- Step 1:** Input the security code on the keypad, turn the door knob completely to the right and open door.
- Step 2:** Close door and release knob-knob is now relocked.
- Troubleshooting tips:
- Make sure you press down completely on each key.
 - Try turning the knob again before reentering the code.
 - Always enter all the digits of the code, but only the digits of the code. (The digits of the code may be entered in any sequence)



Installation in both blank and pre-drilled doors

Step 1 Hold paper to door and align edge (A) with edge of door. Slide paper up or down to adjust position.

Step 2 While holding paper in position, bore 10mm holes through door at locations marked (B). (pre-drilled doors skip Steps 3 and 4, continue at Step 5).

Step 3 Using a 3/4 inch spade drill bit, bore a hole through door at location (C).

Step 4 Using a 7/8 inch spade drill bit, bore a hole in the edge of door centered at location marked (E). Continue boring through to meet opening (C). Center of openings (C) and (E) should meet at the same level.

Bore pilot holes at locations marked (D).

Step 5 Insert latch assembly into opening (E).

Step 6 Mount front and back plates to door with bolts through openings (B), and square spindle through opening (C) to connect inner and outer door knobs through latch assembly.

Step 7 Gently tighten screws at (D).

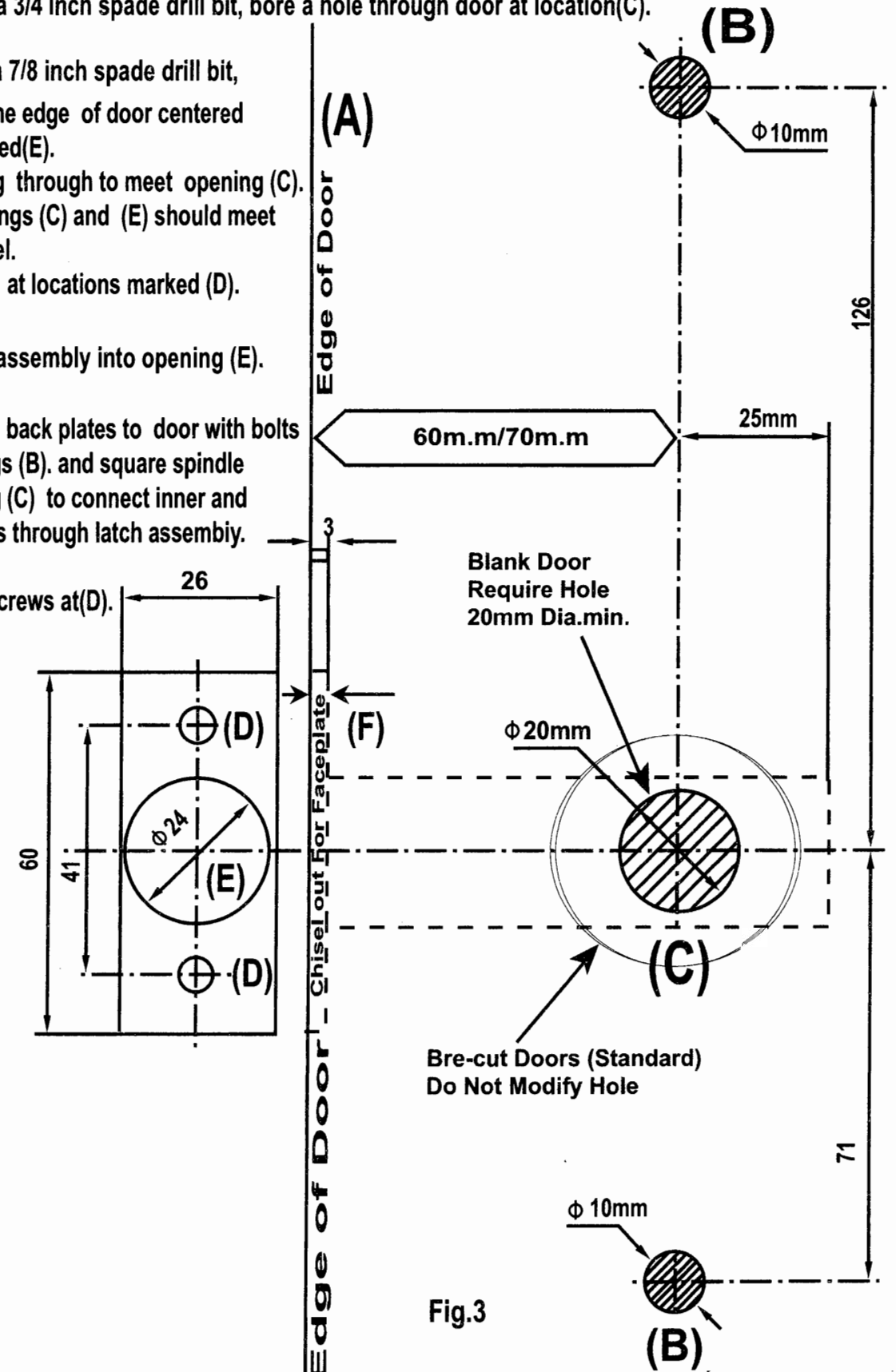


Fig. 3